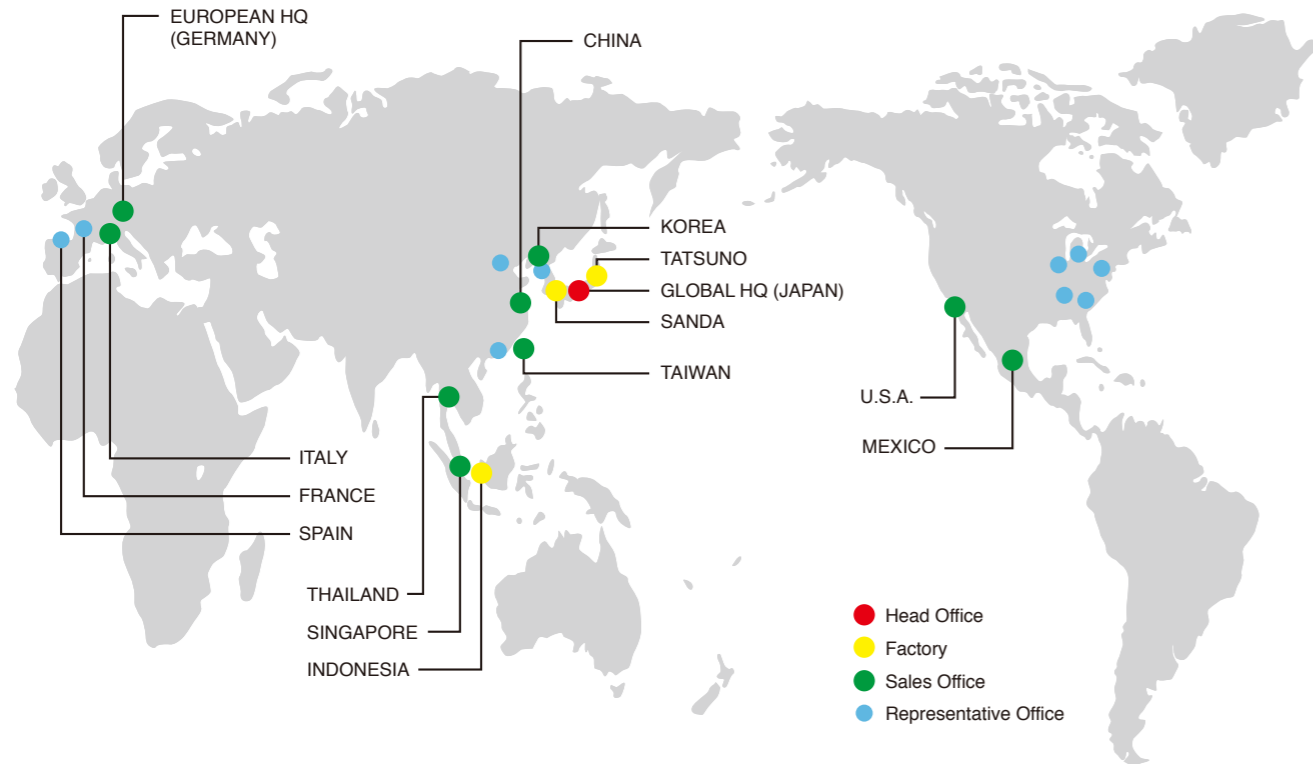


PATLITE Global Network



PATLITE Corporation

4-1-3, Kyutaromachi, Chuo-ku, Osaka 541-0056 Japan
 International Sales Division
 TEL.+81-6-7711-8953 FAX.+81-6-7711-8961 E-mail: overseas@patlite.co.jp

PATLITE (U.S.A.) Corporation

20130 S. Western Ave. Torrance, CA 90501, U.S.A.
 TEL.+1-310-328-3222 FAX.+1-310-328-2676 E-mail: sales@patlite.com

PATLITE (SINGAPORE) PTE LTD

No.2 Leng Kee Road, #05-01 Thyee Hong Centre, Singapore 159086
 TEL.+65-6226-1111 FAX.+65-6324-1411 E-mail: sales@patlite.com.sg

PATLITE (CHINA) Corporation

Room 1102-1103, No.55, Lane 777, Guangzhong Road (West), Zhabei District, Shanghai, China 200072
 TEL.+86-21-6630-8969 FAX.+86-21-6630-8938 E-mail: sales@patlite.cn

PATLITE Europe GmbH

Am Soeldnermoos 8, D-85399 Hallbergmoos, Germany
 TEL.+49-811-9981-9770-0 FAX.+49-811-9981-9770-90 E-mail: info@patlite.eu
 WEEE Reg. Nr. 67267160

PATLITE KOREA CO., LTD.

A-2603, Daesung D-POLIS, 606, Seobusaet-gil, Geumcheon-gu, Seoul, 08504, Korea
 TEL.+82-2-523-6636 FAX.+82-2-861-9919 E-mail: sales@patlite.co.kr

PATLITE TAIWAN CO., LTD.

2F-1, No.215, Sec. 2, Chengde Rd., Datong Dist., Taipei City 10364, Taiwan (R.O.C.)
 TEL.+886-2-2555-1611 FAX.+886-2-2555-1621 E-mail: info@patlite.tw

PATLITE (THAILAND) CO., LTD.

Olympia Thai Tower, 15th Floor 444 Ratchadapisek Road Samsennok, Huay Kwang Bangkok 10310, Thailand
 TEL.+66-2-541-5431 FAX.+66-2-541-5429 E-mail: sales_150716@patlite.co.th

PATLITE MEXICO S.A. de C.V.

Plaza de La Paz No. 102, int. 712 Guanajuato Puerto Interior, Silao, Gto, C.P.36275, Mexico
 TEL.+52-472-748-9124 E-mail: ventas@patlite.com.mx

www.patlite.com

● PATLITE, the PATLITE logo are either registered trademarks or trademarks of PATLITE Corporation in JAPAN and/or other countries.
 ● The names of other companies and products are trademarks or registered trademarks of their respective companies.

CAUTION

To ensure correct use of these products, read the "Instruction Manual" prior to use. Failure to follow all safeguards can result in fire, electric shock, or other accidents. Specifications are subject to change without notice.

O-A110B EN 2001

PATLITE®

Signal Beacons

SL / SK / SF

New

The Next Evolution of Beacons



Flashing Beacons SL

Standard light functions with flash settings

Rotating Beacons SK

Motorized rotation with efficient light output

Multi-Function Beacons SF

LED animations including simulated rotation

#1 Ranked Globally in Signaling Devices



*1 Research Info Global, 2017

www.patlite.com

We are Dedicated to Safety



SL Series



SK Series



SF Series

Our first product innovation dates back to 1955 when we developed the micro-motor. The creation of this revolutionary product led to the development of a wide-range of warning devices including our first flagship product, the SK-12 rotating beacon light. Since then, signal beacons have been adopted worldwide as a primary device for warning and status indication applications.

Our S-Series Beacons represents our long history of engineering safety equipment and our deep commitment to creating safer, more secure environments, worldwide.



PATLITE Beacons

2020
SL / SK / SF series



1965
SK-12 model

Features



Reliable

- Clearer, brighter signaling with improved reflector design
- High IP rating
- High durability and longer product life



Convenient

- Easy mounting and installation
- Maintenance-free
- Selectable wiring options

Online Part Number Configurator

Visit our beacon configurator site to easily build a part number based on your requirements.



https://www.patlite.com/beacon_config/



Flashing Beacons

SL series

LED life 100,000 hours^{*1}

Cable Type IP23 IP65^{*2}

Screwless Terminal Type IP66 Sound Pressure 88dB KT type SL08: 86dB

Light Patterns Continuous Blinking Triple-flash

Video of light patterns:

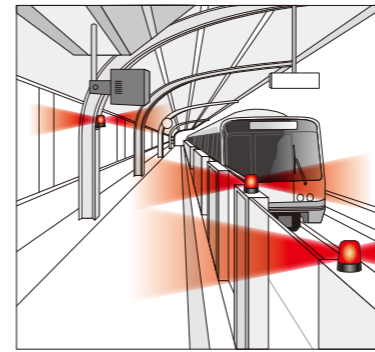


SL08: Φ80mm SL10: Φ100mm SL15: Φ150mm

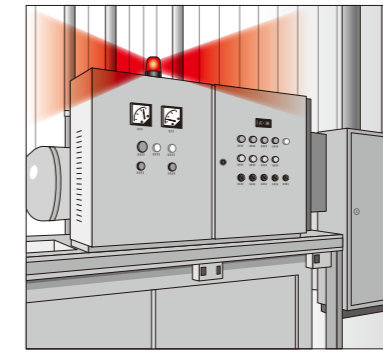


*1 Manufacturer specified value
*2 When used with rubber-gasket (Sold Separately)

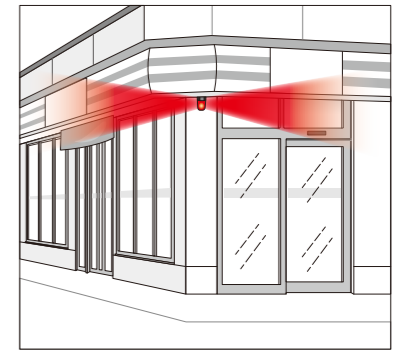
Application Examples



At this train station, a combination of flashing light and sound from the SL warns people at the platform of approaching trains.



The SL on this control panel alternates between continuous, blinking, and triple flashing lights to indicate normal, warning, and critical conditions respectively.



This SL is mounted on the ceiling of a store, indicating emergencies by flashing light, which is visible from a distance.

Model Number Configuration

SL10-M1KTB-R

Size	LED Color
08 : Φ80mm	R : Red
10 : Φ100mm	Y : Amber
15 : Φ150mm	G : Green
	B : Blue
	Buzzer
	N : No Buzzer
	B : With Buzzer ^{*1}
Rated Voltage	Mounting / Wiring
M1 : 12-24V DC	J : 3-Screw Mounting / Cable
M2 : 100-240V AC	KT : 2-Point Hole Type Mounting ^{*2} / Terminal Block

*1 KT type only *2 SL15: 3-point hole type mounting

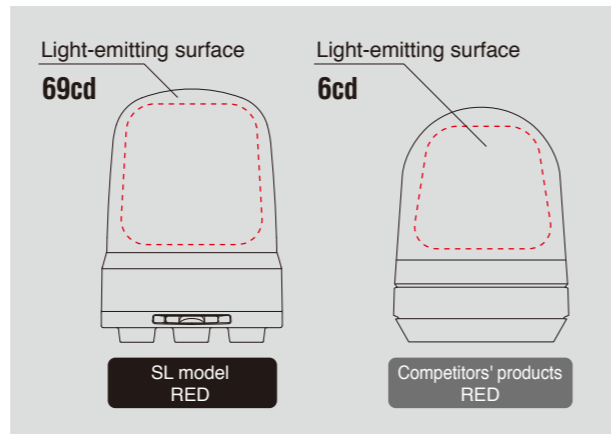
Rubber Gasket (Sold Separately) IP65



Full Visibility

The newly developed Fresnel lens distributes ambient, uniform light from all surfaces of the globe, including the top.

Compared to competing products, the SL has a wider, light-emitting surface, with over 5 times the luminous intensity.

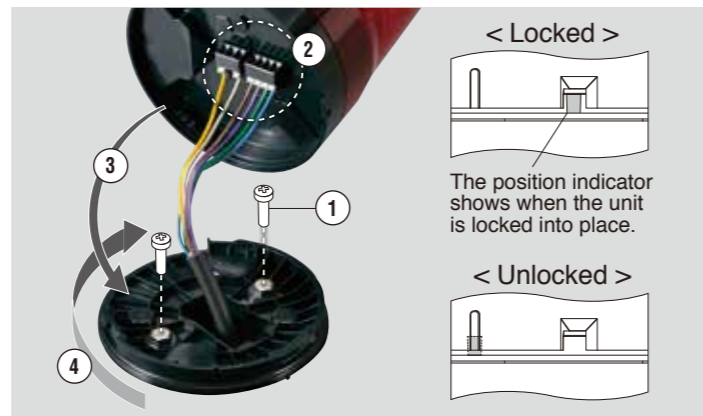


Easy Mounting

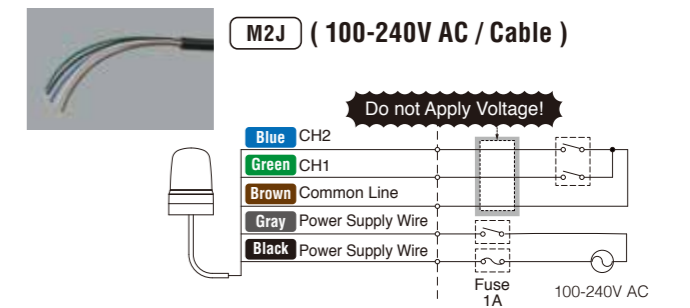
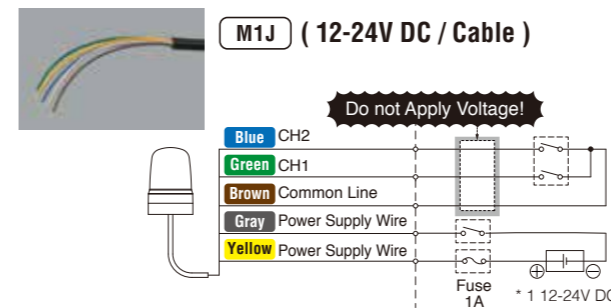
IP66 rating (KT type)

- 1 Screw in the mounting bracket
- 2 Connect wires to the push-in terminal block
- 3 Mount the body onto the mounting bracket
- 4 Lock into place

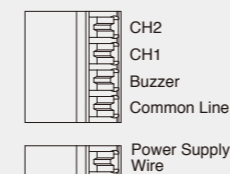
Mounting video



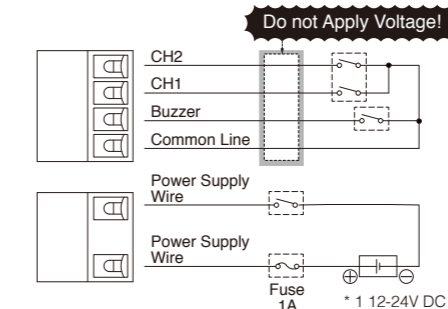
Wiring Diagrams



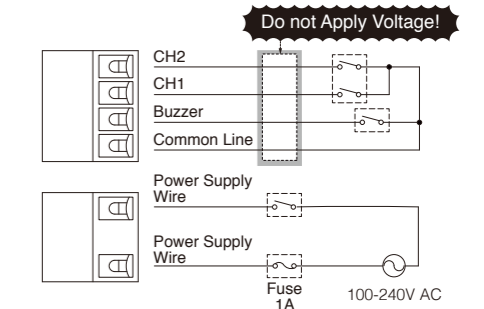
Terminal block arrangement



M1KT (12-24V DC / 2-Point Hole Type Mounting^{*2} - Terminal Block)



M2KT (120-240V AC / 2-Point Hole Type Mounting^{*2} - Terminal Block)



*1 Nonpolar. UL Class 2 specification
*2 SL15: 3-point hole type mounting

Rotating Beacons

SK series

LED life 100,000 hours^{*1} IP23 IP65^{*2} Sound Pressure 88dB Rotating (120rpm)

Video of light patterns:

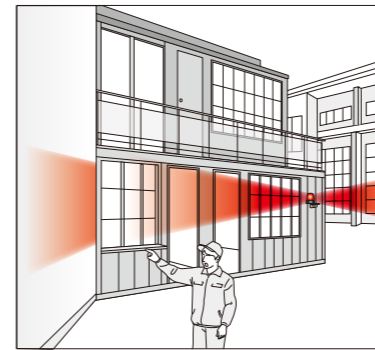


SKS: Φ80mm SKH: Φ100mm SKP: Φ150mm

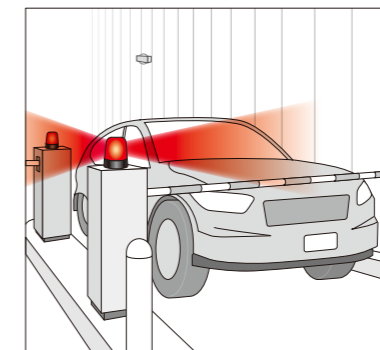


*1 Manufacturer specified value
*2 When used with rubber-gasket (Sold Separately)

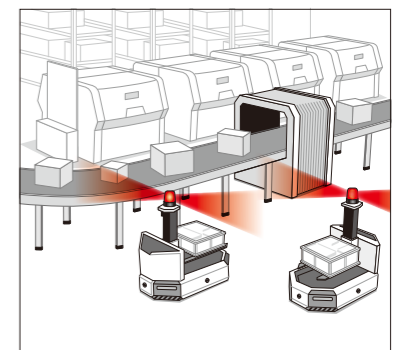
Application Examples



The distinct light rotation of the SK makes it suitable for providing efficient visual signaling in emergency situations.



Due to the long-life LEDs in the SK, it is used in 24-hour parking structures where there is an absence of parking attendants, as an "always-on" warning light.



The SK installed on this AGV gives bright, rotating indication to its surroundings while in motion, to prevent accidents in case a person is stepping in the path of the vehicle.

Model Number Configuration

SKH-M1JB-R

Size	LED Color
S : Φ80mm	R : Red
H : Φ100mm	Y : Amber
P : Φ150mm	G : Green
	B : Blue
	Buzzer
	(None) : No Buzzer
	B : With Buzzer ^{*1}
Rated Voltage	Mounting / Wiring
M1 : 12-24V DC	J : Cable
M2 : 100-240V AC	T : Terminal Block ^{*1}

*1 SKH type only

Rubber Gasket (Sold Separately) IP65

For SKS
SZW-102



For SKH
SZW-103

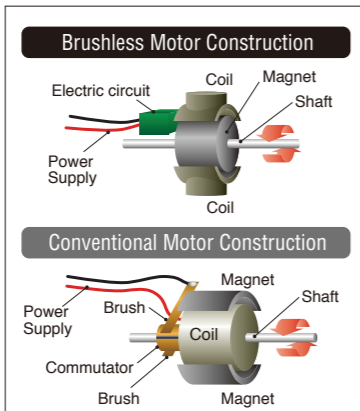
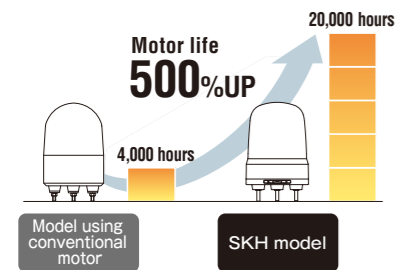


ex.

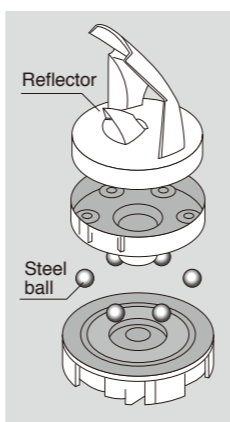
For 3-Screw Mounting / Cable type

Durable and Reliable

The SK is equipped with a brushless motor, which produces less heating than a conventional motor, and has a longer motor life.



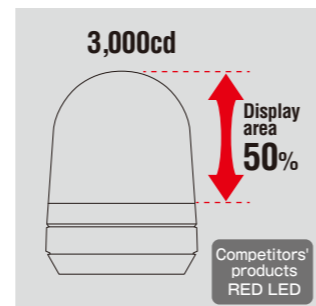
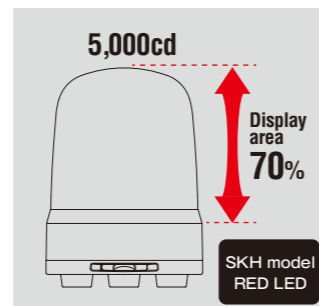
The steel ball bearings, located at the base of the reflector, are designed to greatly reduce wear over time and provides quiet reflector rotation.



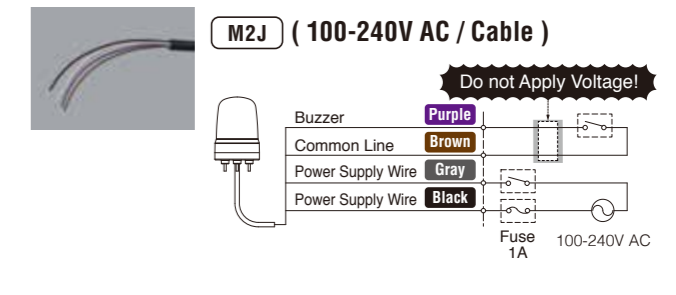
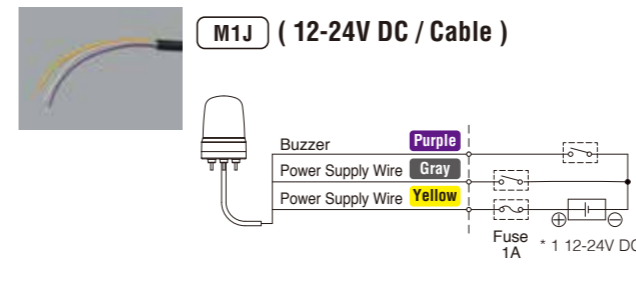
Higher Visibility

This newly developed dual-reflector efficiently distributes LED light, creating bright, even light output.

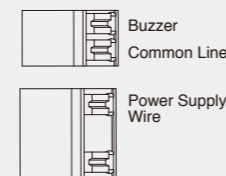
The light-emitting surface is designed to provide maximum visibility and effective visual signals.



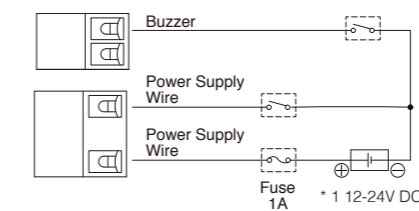
Wiring Diagrams



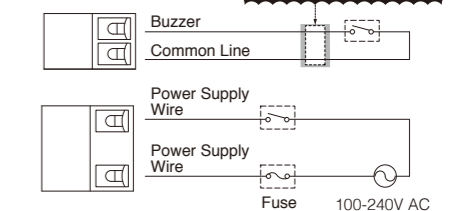
Terminal block arrangement



M1T (12-24V DC / Terminal Block)



M2T (120-240V AC / Terminal Block)



*1 Nonpolar. UL Class 2 specification

Multi-function Beacons

SF series

LED life 100,000 hours^{*1}

Cable Type: IP23, IP65

Screwless Terminal Type: IP66

Sound Pressure: 88dB

KT type: SF08: 86dB

22 Light Patterns: Rotating, Flash, Pulse

Video of light patterns:



SF08: Φ80mm

SF10: Φ100mm

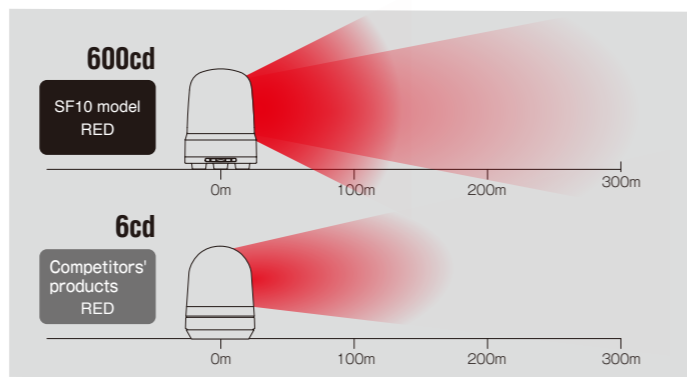


*1 Manufacturer specified value
*2 When used with rubber-gasket (Sold Separately)

High Efficiency

This motorless, maintenance-free design produces LED animations including simulated rotation, flashing, and pulsing effects.

The SF is designed with PATLITE's newly developed multi-fresnel lens. This thin, rigid lens is capable of collecting and diffusing light more effectively than a conventional lens.



Wide Selection of Light Patterns

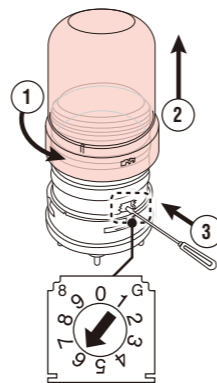
Select from 22 light patterns to indicate various statuses at your work field. The light pattern can easily be configured by adjusting the rotary switch and wiring channels.

- [Examples of Usage]
- Reduce brightness during night time
 - Adjust flash speeds depending on urgency
 - Adjust rotation speeds depending on level of danger

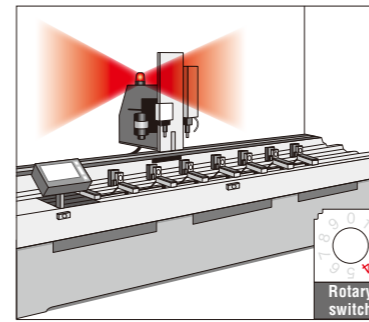
Rotary switch	wiring	CH1		CH2		CH1		CH2	
		OFF	OFF	ON	OFF	OFF	ON	ON	ON
0		Off		Rotating (120 rpm)		Triple-flash		Rotating (120 rpm)	
1		Off		Rotating (180 rpm)		Triple-flash		Rotating (180 rpm)	
2		Off		Triple-flash		Pulse pattern		Triple-flash	
3		Off		Rotating (60 rpm)		Rotation (120 rpm)		Rotating (180 rpm)	
4		Off		Single-flash		Double-flash		Triple-flash	
5		Triple-flash		Triple-flash		Triple-flash		Triple-flash	
6		Pulse pattern		Pulse pattern		Pulse pattern		Pulse pattern	
7		Rotating (60 rpm)		Rotating (60 rpm)		Rotating (60 rpm)		Rotating (60 rpm)	
8		Rotating (120 rpm)		Rotating (120 rpm)		Rotating (120 rpm)		Rotating (120 rpm)	
9		Rotating (180 rpm)		Rotating (180 rpm)		Rotating (180 rpm)		Rotating (180 rpm)	

= Dimmed = Half-side emitted

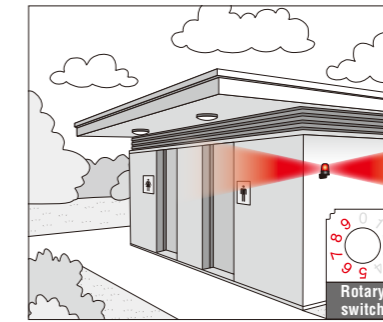
Adjusting the Rotary Switch



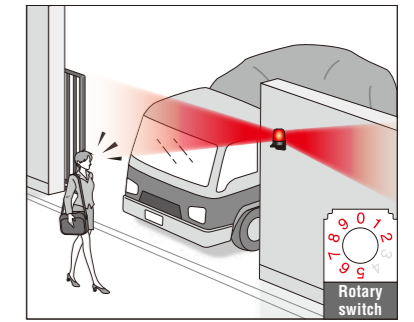
Application Examples



The SF is mounted on a fill machine to indicate multiple operation statuses using different rotation and flash settings. Select from 22 light patterns to provide unambiguous visual signals.



As the SF is powered on, visual signals will immediately begin to operate. This eliminates the need for a device to trigger operating functions for this type of application.



The SF is installed at a gate to warn pedestrians of large vehicles passing through. A timer switch is used to dim the light during the dark hours to avoid blinding drivers.

Model Number Configuration

SF10-M1KTB-R

Size: 08 : Φ80mm, 10 : Φ100mm

Rated Voltage: M1 : 12-24V DC, M2 : 100-240V AC

Buzzer: N : No Buzzer, B : With Buzzer^{*1}

Mounting / Wiring: J : 3-Screw Mounting / Cable, KT : 2-Point Hole Type Mounting / Terminal Block

LED Color: R : Red, Y : Amber, G : Green, B : Blue

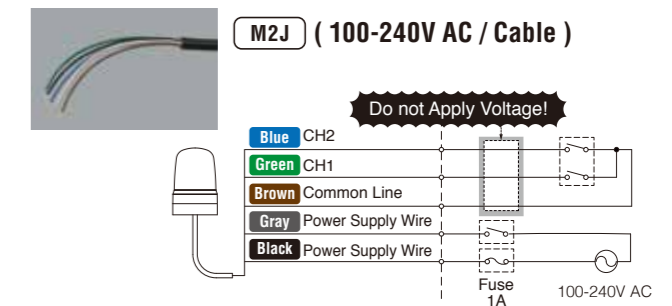
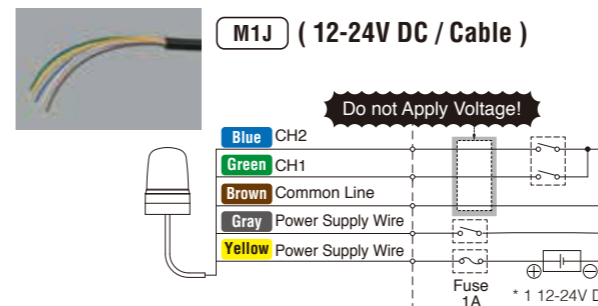
* KT type only

Rubber Gasket (Sold Separately) IP65

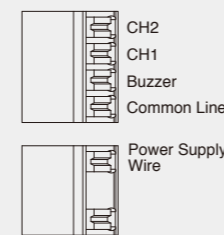


For 3-Screw Mounting / Cable type

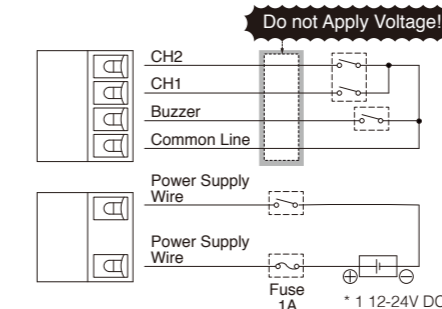
Wiring Diagrams



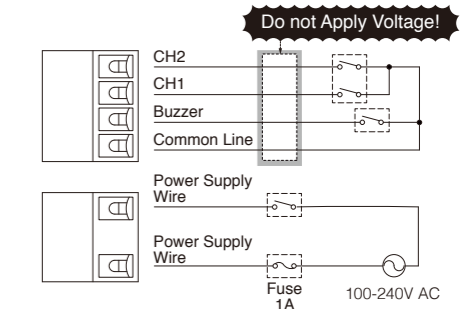
Terminal block arrangement



M1KT (12-24V DC / 2-Point Hole Type Mounting - Terminal Block)



M2KT (120-240V AC / 2-Point Hole Type Mounting - Terminal Block)



*1 Nonpolar. UL Class 2 Specification

Optional Parts

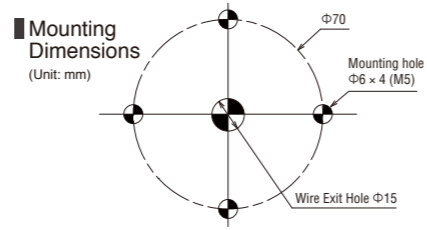
For Wall Mounting



Wall Mount Bracket
(For $\Phi 80\text{mm}$ / $\Phi 100\text{mm}$)
SZK-101

Material: PC
Compatible models: SKS * / SKH * / SL08-SL10 / SF08-SF10

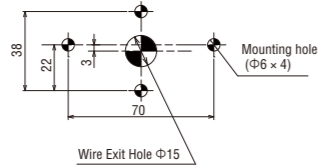
* 3-screw types require rubber mounting.



Wall Mount Bracket
(For $\Phi 80\text{mm}$ / $\Phi 100\text{mm}$)
SZK-102 **Resistant to Rust**

Material: SUS
Compatible models: SKS-SKH / SL08-SL10 / SF08-SF10

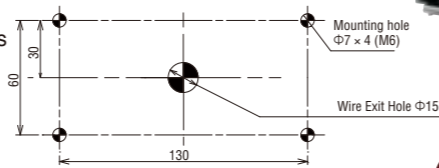
Mounting Dimensions (Unit: mm)



Wall Mount Bracket
(For $\Phi 150\text{mm}$)
SZK-103 **Resistant to Rust**

Material: SUS
Compatible models: SKP / SL15

Mounting Dimensions (Unit: mm)



Wall Mount Bracket Cover
SZK-104

Material: PC
Compatible models: SZK-102



Wall Mount Bracket Cover
SZK-105

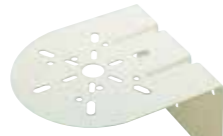
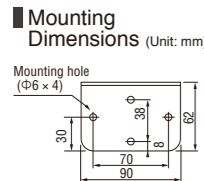
Material: PC
Compatible models: SZK-103



Wall Mount Bracket
SZ-007

Material: SECC

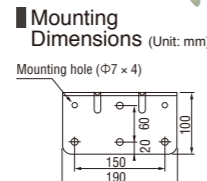
Compatible models: SKS-SKH / SF08-J / SF10-J / SL08-J / SL10-J



Wall Mount Bracket
SZ-008

Material: SECC

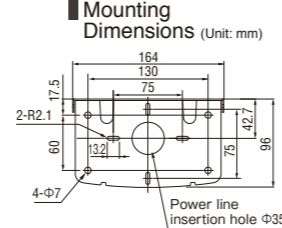
Compatible models: SKS-SKH-SKP / SF08-J / SF10-J / SL08-J / SL10-J / SL15-J



Wall Mount Bracket
SZ-023

Material: Bracket...SECC / Bracket Cover...AES

Compatible models: SKS-SKH-SKP / SF08-J / SF10-J / SL08-J / SL10-J / SL15-J



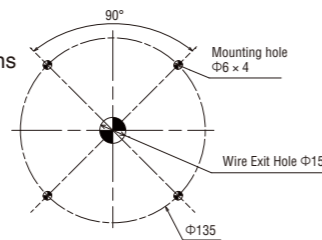
For Ceiling Mounting



Circular Bracket
(For $\Phi 100\text{mm}$)
SZW-101

Material: SPCE
Compatible models: SKH / SL10 / SF10

Mounting Dimensions (Unit: mm)



Rubber Mounting

Using this rubber mounting, IP23 models become IP65.



Rubber Gasket
(For $\Phi 80\text{mm}$)
SZW-102

Material: Silicon
Compatible models: SKS / SL08-J / SF08-J
3-Screw Mounting Type



Rubber Gasket
(For $\Phi 100\text{mm}$)
SZW-103

Material: Silicon
Compatible models: SKH / SL10-J / SF10-J
3-Screw Mounting Type



For Pole Mounting



Circular Bracket
(For $\Phi 100\text{mm}$)
SZP-101

Material: PC
Compatible models*: SKH / SL10 / SF10

*1 3-screw types require rubber mounting.



Aluminum Pole N type (non-threaded)

100mm	POLE22-0100AN
300mm	POLE22-0300AN
500mm*2	POLE22-0500AN
800mm*2	POLE22-0800AN
1000mm*2	POLE22-1000AN

*2 Compatible brackets: SZK-001U, SZP-002U, SZ-010

Aluminum Pole Bracket (Compatible with N type)



Aluminum Pole T type (threaded)

100mm	POLE22-0100AT
300mm	POLE22-0300AT
500mm	POLE22-0500AT
800mm	POLE22-0800AT
1000mm	POLE22-1000AT

Aluminum Pole Bracket (Compatible with T type)



Aluminum Pole Bracket (Compatible with N and T types)





Replacement Parts

Compatible with all SL, SK, and SF Models

	SKS/SF08/SL08 $\Phi 80\text{mm}$		SKH*3/SF10/SL10 $\Phi 100\text{mm}$		SKP*4/SL15 $\Phi 150\text{mm}$	
	Globe 	Red	GA0000029-F1	Red	GA0000033-F1	Red
	Amber	GA0000030-F1	Amber	GA0000034-F1	Amber	GA0000038-F1
	Green	GA0000031-F1	Green	GA0000035-F1	Green	GA0000039-F1
	Blue	GA0000032-F1	Blue	GA0000036-F1	Blue	GA0000040-F1
Waterproof ring 	GA0000794-F1		GA0000795-F1		GA0000796-F1	

For KT Type (2-point or 3-point hole type mounting / terminal block)

	SF08/SL08 $\Phi 80\text{mm}$	SF10/SL10 $\Phi 100\text{mm}$	SL15 $\Phi 150\text{mm}$
Mounting bracket With : waterproof ring / waterproof sheet 	GA0000512-F1	GA0000513-F1	GA0000514-F1
Waterproof sheet 	GA0000498-F1	GA0000499-F1	GA0000500-F1

* 3 Not compatible with SKH-A / SKH-EA. * 4 Not compatible with SKP-A.